

POWER*mow*

***24V Cordless
Cylinder Mower***

User Manual

CYI

Innovation from
CEL
C Enterprise Ltd

THANK YOU

Thank you for investing in a CEL product. The 24V Cordless Cylinder Mower has been engineered and made to demanding high quality standards; ease of operations and safety have taken a major role in development. Proper care of your product will give you years of trouble-free use.

Normal wear and tear, including accessory wear, is not covered under guarantee. The product is guaranteed for **domestic use** against manufacturing faults for a period of 12 months (for additional guarantee period (if any) please refer to the store or agent from which you purchased the product or contact the nearest authorized dealer). This product is not guaranteed for HIRE purposes.

If you have any questions, please contact us at:

sales@cel-global.com

It is possible to download updated user manuals, view demonstration videos and find information about new products at: www.cel-garden.com

Warning: User must read and understand the user manual before using the product to reduce the risk of injury. Failure to follow all instructions may result in electric shock, fire and/or serious personal injury. The product must be used only for its prescribed purpose. Any use other than those mentioned in this manual will be considered a case of misuse. The manufacturer shall NOT be liable for any damage or injury resulting from such cases of misuse, use of force, partially or completely dismantled appliances.



Contents

- 1.0 Important Safety Notes
- 2.0 Unpacking
- 3.0 Assembly
- 4.0 Safety Key
- 5.0 Battery
- 5.1 Charging

GETTING STARTED

- 6.0 Cutting Height
- 7.0 Battery Level Warning
- 8.0 Blade Adjustment
- 9.0 Mowing Tips
- 9.1 Emptying Grass Collector
- 10.0 Starting & Stopping
- 10.1 Over Work Protection

MOWING

- 11.0 Care and Maintenance
- 11.1 Storage
- 11.2 Environment
- 12.0 FAQ
- 13.0 Technical Specifications

CARE

READ ALL INSTRUCTIONS BEFORE USE.
RETAIN INSTRUCTIONS FOR FUTURE REFERENCE.
THIS MACHINE CAN CAUSE SERIOUS INJURIES.

WARNING:

When using an electrical appliance, basic safety precautions should be observed, including the following, to reduce the risk of fire, electrical shock or injury:

1. Read the instructions carefully. Be familiar with the controls and the proper use of the appliance.
2. Do not use it as a toy.
3. Never allow children or people unfamiliar with these instructions to use the appliance. Local regulations may restrict the age of the operator.
4. Never mow while people, especially children, or pets are nearby.
5. The operator or user is responsible for accidents or hazards occurring to other people at their property.
6. Mow only in daylight or in good artificial light.
7. Avoid operating the appliance in wet grass, where feasible.
8. Do not operate the mower in rain.
9. Walk, never run, when operating.
10. Do not operate the mower when barefoot or wearing open sandals. Always wear substantial footwear and long trousers.
11. Thoroughly inspect the area where the mower is to be used, and move any object which may jam or be thrown by the machine.
12. Ensure the mower blade rotates freely and carefully removed any obstructions prior to use.
13. Always be sure of your footing on slopes, do NOT mow excessively steep slopes.
14. Mow across the face of slopes, never up and down.
15. Exercise extreme caution when changing direction on slopes.
16. Use extreme caution when reversing or pulling the appliance towards you.
17. Do not put hands or feet near rotating parts. Keep clear of the discharge opening at all times.
18. Never pick up or carry the appliance while the motor is running.
19. Remove the Safety Key from the machine whenever left unattended.

20. Stop the blade if the appliance has to be tilted for transportation when crossing surfaces other than grass, and when transporting the appliance to and from the area to be mowed.
21. Never operate the appliance with defective guards, or without safety devices, for example deflectors and/or grass catchers in place.
22. Switch on the motor according to instructions and with feet well away from the blade.
23. Do not tilt appliance when switching on the appliance.
24. Keep all nuts, bolts and screws tight to be sure the equipment is in safe working condition.
25. Replace worn or damaged parts for safety.
26. Be careful when adjusting height, ensure that the battery is removed and keep fingers away from all moving parts.
27. Do not handle charger or mower with wet hands.
28. Use only as described in this manual.
29. Do not attempt to use the charger with any other product nor attempt to charge this product with another charger.
30. Do not abuse the charger cord; never carry the charger by the cord or pull cord to disconnect from an outlet; grasp the plug and pull to disconnect.
31. Keep charger cord away from hot surfaces.
32. This product includes lead acid (Pb) batteries; do not incinerate batteries or expose to high temperatures, as they may explode.
33. Leaks from battery cells can occur under extreme conditions. If the liquid gets on the skin wash immediately with soap and water. If the liquid gets into the eyes, flush them immediately with clean water for a minimum of 10 minutes and seek medical attention.
34. Keep hair, clothing, fingers and all parts of body clear of moving parts.
35. Dress properly! Do not wear loose clothing or jewellery which can be caught by moving parts. Use of non-slip footwear is recommended.
36. Do not attempt to repair any damaged parts on this product unless you are qualified to do so.

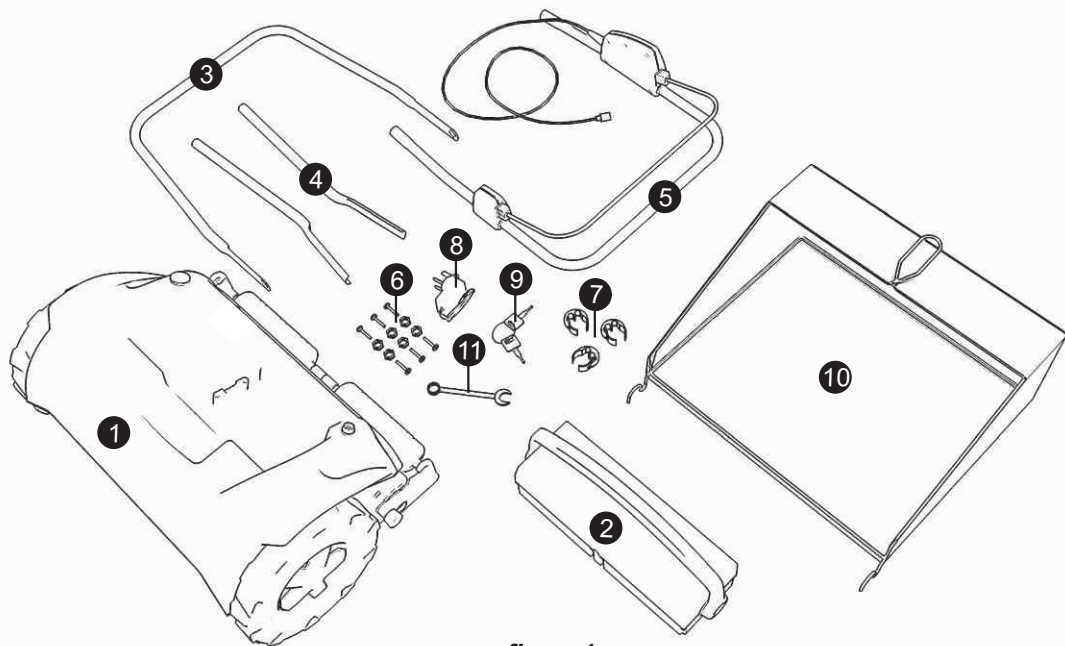


figure1

1. Main Unit
2. Battery Pack
3. Lower Frame
4. Middle Frame x2
5. Upper Frame
6. Nut & Bolts x6

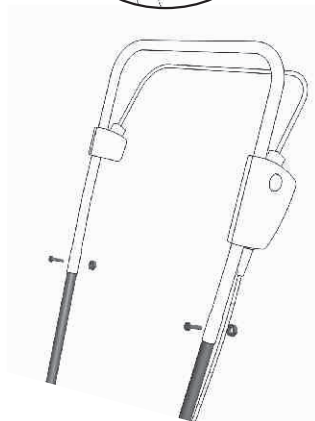
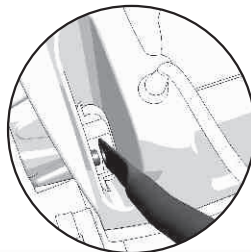
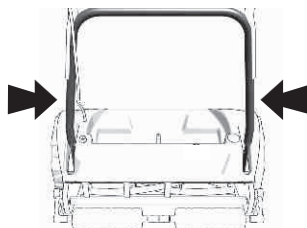
7. Cable Clips x3
8. Charging Adaptor
9. Keys x2
10. Grass Collector
11. Tool

1. Unpack and remove the whole unit from its packaging, and ensure all the parts are present. (See figure 1)

Caution: Remove the Safety Key and Battery from the mower to safely work on the product.

2. Fit the Lower Frame onto the two large lugs on the Main Unit.
Fit one side and then flex the other side of the frame until it fits over the opposite lug.

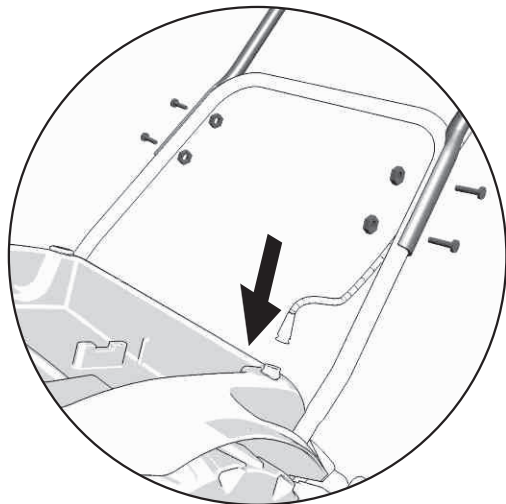
3. To assemble the Upper Frame to the 2 Middle Frame parts. Hold the Upper Frame so that the Safety Lever faces downward, insert the Middle Frame sections so that they bend outwards and the holes are aligned. Insert bolt from the top so that the nut is underneath the frame then secure each one.



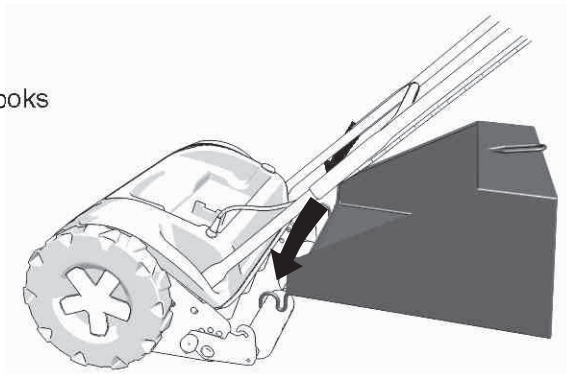
5. Use 4 nuts and 4 bolts to hold the upper and middle sections in place on the Lower Frame. Insert the bolts from the outside and fit the nuts on the inside of the frame.

6. Once the frame is assembled, connect the plug on the handle cable to the socket on the main unit. Tighten the screw ring to secure the cable.

7. Secure the cable to the handle using the 3 cable clips, leave some slack on the cable to allow free movement.



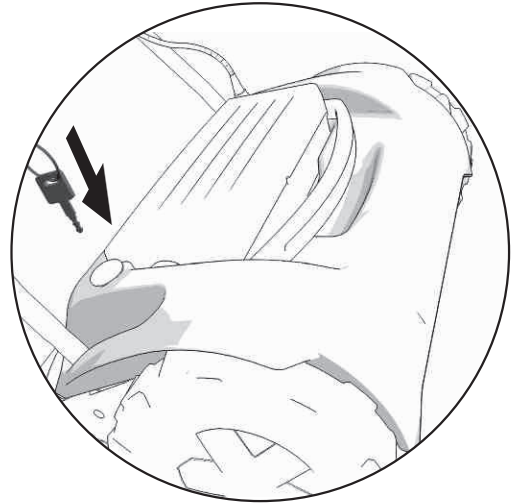
8. To fit the Grass Collector position the hooks onto the rear roller axle of the Main Unit.



IMPORTANT : There is a safety key fitted to this device, the product will not work without it.

The key needs to be fitted and turned to the on position for the product to operate.

Always remove the key and battery before carrying out any adjustments or maintenance on the mower, or if the mower is left unattended.



***Before first use charge the battery for 16 hours.
Please refer to the section on charging and recharging.***

If the battery is damaged in any way do not attempt to charge it and replace immediately.

Remove the battery from the product by rotating and lifting with the handle

Keep clear of any moisture, direct sunlight or temperature extremes.

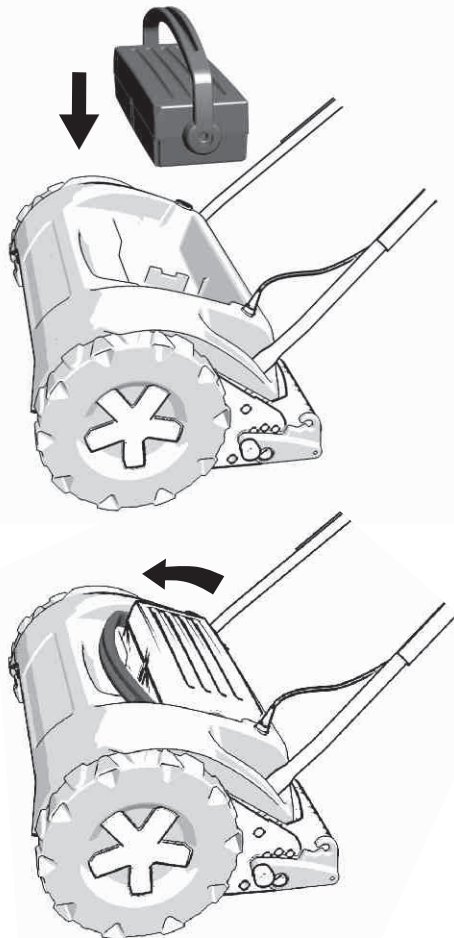
Fully unwind the charger cable, plug into a suitable mains outlet, the light on the charger will turn green. Fit the plug securely into the socket on the battery. The light will turn red while the battery is charging and back to green once the battery is fully charged.

The battery requires 16 hours to charge fully from flat.

To refit the battery, remove the charger lead and lower it into the cavity on the top of the product in the correct orientation. If the battery does not fit correctly remove it and check there are no obstructions in the cavity.

Rotate the top handle to the front of the mower to lock into position.

To keep the battery in prime condition it is best to charge the battery after each use, and every 3 months if stored. IMPORTANT: Charge the Battery After Each Use.



**Remove the Battery before charging.
Do not attempt to charge the battery while in
the mower.**

Never store the mower with a flat Battery.

**The battery should ideally be stored
between 10° C and 24° C (50° F and 75° F).**

The battery will not be damaged if it is charged for longer than 16 hours, but it is advisable not to leave it on for more than 48 hours, as this might shorten the battery life.

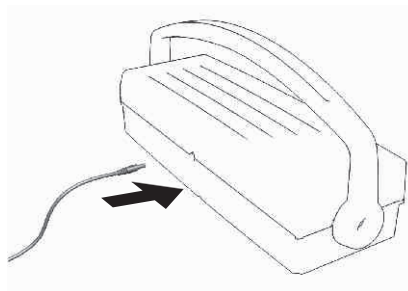
***POWERmow* can be used as a push
mower if the battery needs charging.**

Warning: Only use the charger supplied with this product. Do not attempt to charge this product with any other charger nor attempt to charge any other product with this charger, as it can cause damage and will invalidate your guarantee.

**USE ONLY A REPLACEMENT BATTERY AS
SUPPLIED BY THE MANUFACTURER**

Replacement batteries can be purchased from:

C Enterprise Limited
tel: 08453 88 97 69
email: sales@cel-uk.com
www.cel-garden.com



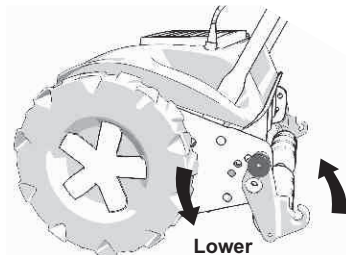
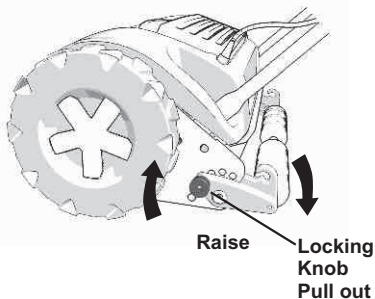
**Red Light
Unit Charging**

**Green Light
Unit Fully Charged**

Caution: For safety ensure that the Safety Key and Battery are removed from the Mower before adjusting the height.

To ensure that the roller is aligned correctly, it is recommended that the height is adjusted on a level surface. It is also recommended that the Grass Collector be removed as this will allow easier access to the Locking Knobs.

1. Pull out the knobs on both sides of the roller.
2. Holding both knobs, raise or lower the mower to the desired height.
3. Allow the knobs to spring into the holes, ensure they sit fully into the hole, are at the same height and properly secured.



Battery Level Warning

This mower uses sealed Pb lead acid batteries, which like all batteries can be damaged if they are over-discharged. The electronic circuit will warn of low battery level and then will break the circuit before the battery is damaged, the battery should be recharged at this point.

GREEN LED ON—Normal operation.

GREEN LED FLASHING—Over work protection, release trigger to reset. (see section 9.1)

RED LED FLASHING—Battery is getting low.

RED LED ON—Battery flat, please charge to prevent over discharge damage.

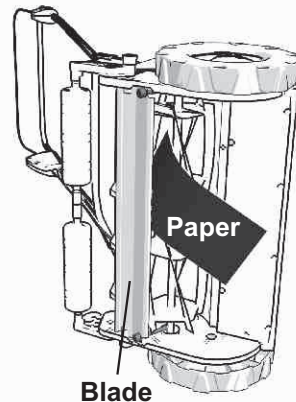
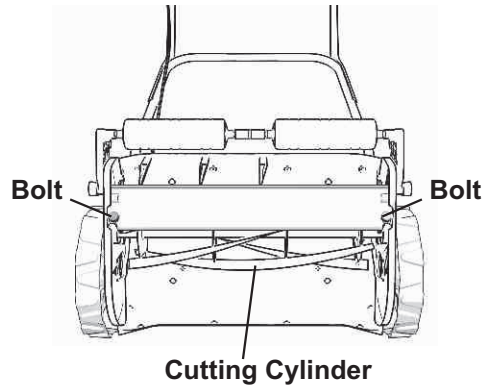
SHARP BLADES-BE VERY CAREFUL.

Caution: for safety ensure that the **Safety Key and Battery are removed from the Mower before adjusting the blade.**

To adjust the blade turn the 2 bolts on the blade shield. The cylinder should almost touch the blade, but do not over tighten it. If the cylinder hits the blade it is too tight and will damage the cutting edge; loosen the nuts.

To check for correct adjustment, insert a piece of paper between the blade and the cutting cylinder. When the cutting cylinder is turned by hand the paper should be cut cleanly.

CAUTION: DO NOT TURN THE WHEELS AS THE BLADES WILL ALSO TURN.



Before mowing ensure the area to be cut is clear of stones or other objects, which may damage the mower or cause injury.

Start by mowing around the edges of your lawn, then cut the centre area in stripes. Mow twice a week during growing season, the grass will be weakened if more than a third of the length is cut away at one time. The mower should be parked, the operation lever released and the blades allowed to stop before the grass collector is removed for emptying.

***POWERmow
can be used
as push mower
without battery power***



Do Not Overload the Mower

If you hear the motor in the mower change pitch dramatically while mowing, it may be overloaded.

If the grass is very thick or long, a first cut with the cutting height set higher will help reduce the load on the motor. (see **Cutting Adjustment Section 5.0**)

Push the mower more slowly when cutting thick grass.

If the grass is particularly thick you can release the safety handle and use the ***POWERmow*** as a push mower.

Emptying the Grass Collector

Before removing the grass box for emptying, release the operation lever and wait for the blades to stop turning.

Lift the basket up and toward the mower to release the hooks.

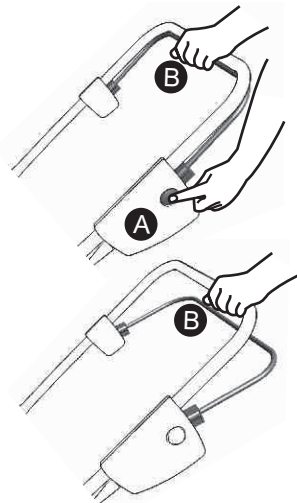
Lift up and clear of the mower. Always empty clippings before storage.

Replacing the grass collector is the reverse of the removal process.

The handle is designed with a safety button to prevent accidental starting.

1. Press and hold the safety button 'A' located on the left of the upper handle, then squeeze the operation lever 'B' towards the upper handle.
2. Release the operation lever 'B' to stop the mower.

IMPORTANT : when releasing the operation lever, wait for the blades to stop turning before clearing any grass or putting your hands near the blades!



Over Work Protection

10.1

There are 2 levels of protection: Electronic(1.) and Mechanical Clutch(2.). Both prevents damage to the battery, motor and gearbox due to overload or jamming.

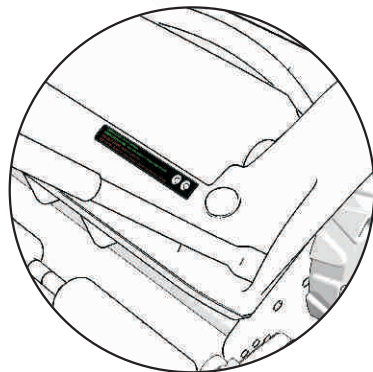
- 1. Electronic** - If the blade jam or the mower is over worked, the blade will stop and the green LED will flash.
- 2. Mechanical Clutch** - If the blade suddenly stop, you may hear a load noise which is the clutch, the electronic protection will eventually stop the motor.

To restart, release the lever, ensure the blades are clear of debris, wait a few seconds then restart with the lever.

Please Note : cutting long, thick, or wet grass could overload the mower or make the blade stall.

If the over work protection operates then the following actions are recommended:

1. Make a first higher cut then make a second cut with the required cutting height.
2. Push the mower more slowly or release the lever and use the push powered function.
3. Check the blade is correctly adjusted so the grass is cut cleanly.



CAUTION : Remove the key and Battery before carrying out any maintenance. Do not accidentally turn the unit on while cleaning it.

Check for any faults such as loose or damaged blades, loose fittings and worn or damaged components. Ensure the mower is in full working order before operating it. Check that covers and guards are correctly fitted and are not damaged in any way.

Carry out any repairs before using the lawnmower again.

Clean the lawnmower using a soft brush or cloth.

Do not use abrasive materials to clean the product or immerse it in water.

Don't use on wet ground.

Don't allow pieces of string, rope, stones or fabrics to enter the unit.

Beware of raised areas such as paving stones or manhole covers that can damage the blades.

Storage

II.1

Before storing, remove the Safety key and Battery.

Turn the machine on its side and clean the blade area. If grass cuttings are compacted in the blade area, remove with a wooden or plastic implement. Remove all grass and debris.

Clean the exterior of the machine thoroughly using a soft brush or cloth.

Do not use water, solvents or polish.

Store the lawnmower in a dry place and oil the blades.

Do not place other objects on top of the machine.

For storage in confined spaces the handles can be removed from the mower. Disconnect the power cord and flex the lower handles to remove from the frame locating lugs.

Never Store the Mower With a Flat Battery.

The battery should ideally be stored between 10°C and 24°C (50°F and 75°F).

To keep the battery in prime condition it is best to charge the battery after each use, and every 3 months if stored. After each use charge for 16 hours to ensure the battery is fully charged..

IMPORTANT: Charge the Battery After Each Use.

When the time comes to dispose of this product please consider the environment and take it to a recognised recycling facility instead of disposing with general household waste.

The mower contains a sealed lead acid (Pb) battery which must be disposed of properly.

Call your local council, civic amenity site, or recycling centre for information on the recycling and disposal of electrical products and lead acid (Pb) batteries.

Why does my mower stop?

CAUTION : Remove the key and battery before carrying out any maintenance.

Remove any build-up of grass or debris from the blade area. Check the blade for damage and oil if necessary.

Make sure the battery is charged, properly seated and locked in position. (see **Section 4.0**)

Ensure the key is fitted and in the ON position.

(see **Section 3.0**)

The overload electronics is preventing damage, allow a few minutes for the mower to cool clear any debris and resume)

(see **Section 8.1**)

Press the safety button and hold the operation lever up to restart the mower. (see **Section 8.0**)

My mower makes a noise when I start it?

Due to the high startup torque the mechanical clutch may operate momentarily, the noise you can hear is the clutch slipping, this is normal. If it does not stop quickly please check that the blades are adjusted correctly and free from all grass buildup and debris.

Where should I keep my battery?

The battery should ideally be stored between 10°C and 24°C (50°F and 75°F) so the best place would be inside your house or garage. IMPORTANT: Charge Battery After Each Use.

(see **Section 4.0**)

My lawn is very hard to cut, what can I do?

Cut the grass more often to keep it shorter.

Ensure the mower is maintained correctly.

Do a high cut before cutting the grass short.

(see **Section 5.0**)

Ensure blades are adjusted correctly. (see **Section 6.0**)

Charge the battery. (see **Section 4.0**)

My mower is noisy or won't cut the grass.

Check the blades are correctly adjusted to give a clean cut. (see **Section 6.0**)

My battery runs out before I finish mowing my lawn.

POWERmow can be used as a push mower if the battery needs charging or if the grass is very thick. Battery life is approximately 2 years under normal use, replace if necessary. Ask at your retailer or visit www.cel-garden.com

How can I get my mower repaired if it is damaged?

Contact your retailer.

Where do I find my serial number?

In front of the Main Unit and under the Battery.

Where can I get replacement parts, advice or help?

Ask at your retailer or visit www.cel-garden.com

What is your returns policy?

See inside cover of manual.

13.0 Technical specifications

Unit operating cycle with full battery	- 25 to 90 minutes*
Cutting width	- 40 cm
Cutting height	- 15, 25, 35, 45 mm
Battery operating voltage	- 24V DC
Charging period for fully discharged battery	- 16 hours
Motor output power	- 54 W
Battery charger output	- 28.6V DC 800mA
Sound Power Level, LPA,d	- 70 dB(A)
Sound Pressure Level, LWA,d	- 94 dB(A)
Vibration	- 1,0 m/s ²
Weight	- 18.2 Kg (including battery)

**Dependant on grass length & thickness*

If you experience any problems with the product please contact
C Enterprise Limited Tel: 08453 88 97 69 email: sales@cel-global.com
www.cel-garden.com



**GENERAL HAZARD
SAFETY ALERT**



**BEWARE OF FLYING
OBJECTS AND DEBRIS**



**BEWARE OF SHARP
BLADES, BLADES
CONTINUE ROTATE AFTER
MOTOR SWITCHED OFF**



**READ
INSTRUCTION
MANUAL**



**KEEP BYSTANDERS
AWAY**



**REMOVE DISABLING
DEVICE BEFORE
MAINTENANCE**

C Enterprise Limited
tel: 08453 88 97 69
email: sales@cel-uk.com



© Copyright C Enterprise Limited 2009



C Enterprise Limited www.cel-global.com info@cel-global.com
UK • HK • USA • China • Europe • Australia • Japan